

Springloaded Pressure Regulator

Model – GRT15S-420

Description

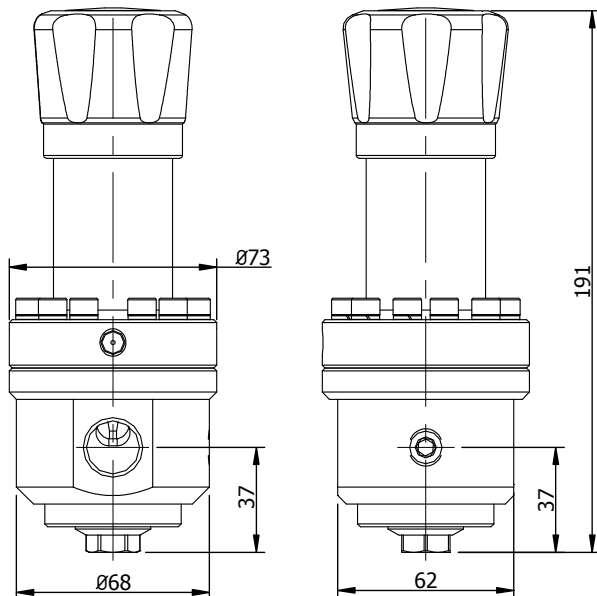
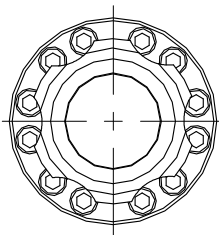
The GRT15S springloaded pressure regulator reduces the supply pressure on the inlet side to a controlled pressure on the outlet side.

Specifications

Inlet pressure	280 or 420 bar
Adjustable	0-420 bar - 7 pressure ranges
Connections	1/2" NPT or BSPP
Seat diameter	7 mm
Cv / Kv	Cv 1.0 / Kv 0.85

Fluids

This pressure regulator is suitable for gases and liquids.



Materials

The regulator is made out of barstock stainless steel material.

Body	ss 316L
Springhousing	ss 316L
Valve	ss 316L
Seat	PCTFE or PEEK
Valve spring	ss 316
Setspring	ss 302
O-rings / diaphragm	NBR, FKM or EPDM

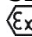
Other materials available on request.

All metal parts are marked with a traceable batch number. Material certificates are available on request.

Technical details

- all parts cleaned and degreased
- leak-tight seat design
- all regulators tested before delivery

Standards

- EN 12516 - design
- EN 12266-1 - testing
- PED 2014/68/EU - SEP (article 4, paragraph 3)
- ATEX 94/9/EC -  II 2G

Springloaded Pressure Regulator

Model – GRT15S-420

Options

Many options are available. The most requested options are mentioned below.

Materials

Regulators can be produced in higher graded materials than stainless steel 316L.

Seals

Regulators can be equipped with FFKM + PTFE seals. Other compounds for higher or lower temperatures are available.

NACE - MR 0175

All wetted parts of the regulators can be supplied according to NACE MR 0175, including Inconel X750 valvespring and a NACE report.

Spare parts

Spare parts kits are available for the regulator. Mention the serial number in case you need spare parts for existing regulators.

Adjusting the regulator

The regulator comes standard with a knob. The threadpiece below the knob is designed for frequent adjustment.



Dependency

Character of the regulator is "dependency". The set-pressure will increase, when you have a decreasing inletpressure.

Dependency ratios are listed below.

- range 0-3 bar - 1:200
- range 0-8 bar - 1:200
- range 0-20 bar - 1:200
- range 0-50 bar - 1:70
- range 0-100 bar - 1:35
- range 0-280 bar - 1:13
- range 0-420 bar - 1:9

The balanced valve has a positive effect towards dependency.

Flow

The regulator has good flow performance over the complete range. Ask for advice if this regulator is the best choice for your application.

Regulators that have a fixed setpoint, can be equipped with a locking cap.



Springloaded Pressure Regulator

Model – GRT15S-420

Internals

The internals of the regulator are important for the performance. The different internals are mentioned below.

Diaphragm or piston sensing

Diaphragm sensed for pressure ranges
0-3 bar / 0-8 bar / 0-20 bar

Piston sensed for pressure ranges
0-50 bar / 0-100 bar / 0-280 bar / 0-420 bar

Plastic seated

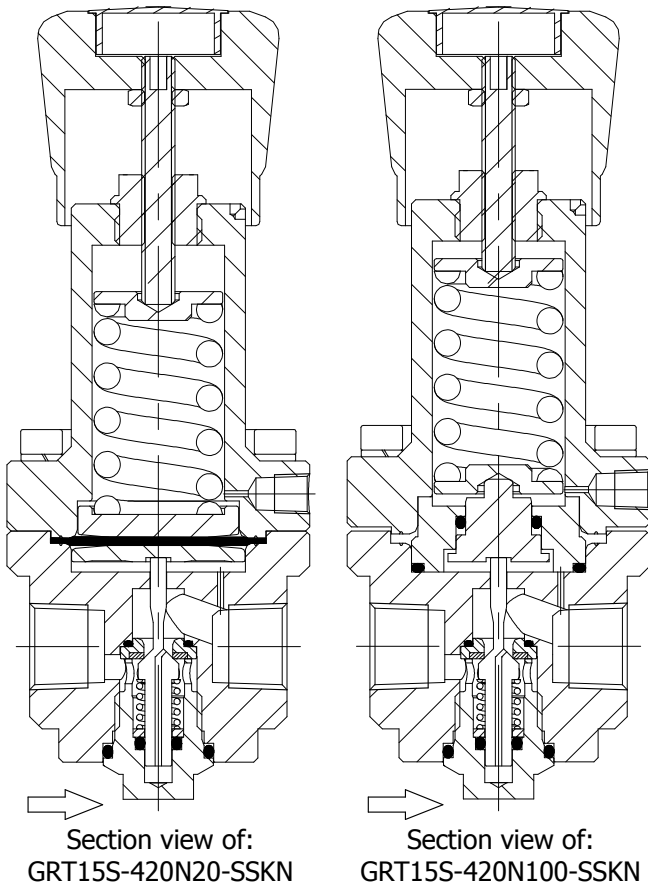
PCTFE recommended and seals easy.
PEEK recommended for liquid and high temperatures.

Valvespring and setspring

The valvespring gives high spring force to ensure seat-tightness.

The setspring is produced according to our high quality specifications. The low spring rate ensures good performance at high flow.

Section view

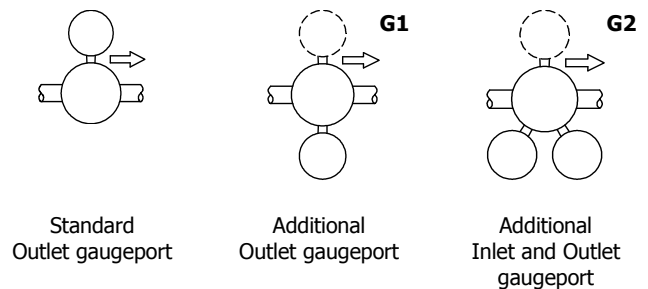


Gaugeports

The regulator has standard one 1/4" NPT gaugeport to measure the controlled setpressure.

Additional 1/4" NPT gaugeports are available, see option G1 and G2 below.

On request other gaugeport options available.



Gauges

Regulators can be supplied with gauges.

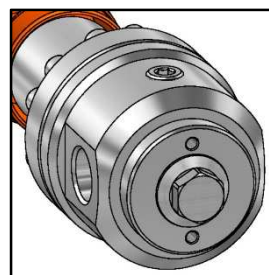
Below ranges are available:

0-4 bar / 0-10 bar / 0-25 bar / 0-60 bar / 0-160 bar / 0-400 bar / 0-600 bar

- case diameter 63 mm
- internals ss 316
- bottom connection 1/4" NPT

Mounting

The regulator can be mounted in every position (horizontal / vertical).



The bottom of the regulator has two mounting holes M5 with 8 mm thread and a C-C distance of 35 mm.

For regulators installed outdoors, make sure that rain cannot enter the springhousing or mount it drainable.

Springloaded Pressure Regulator

Model – GRT15S-420

Connections

The regulator has threaded connections, designed for compression fittings.

Line connections

NPT threads according to ANSI B1.20.1

BSPP threads according to ISO 228-1

BSPP ports according to ISO 1179-1

Springhousing connection

The springhousing has a 1/8" NPT connection.

This connection functions as breathing hole or could be used to pipe away hazardous fluids. Do not plug the connection.

Design pressures

The design pressure applies for inlet and outletside.

Temperature

The general temperature range of the regulator is -50 / 200 °C, but is often limited due to the used sealing materials.

PCTFE	seat	- 50 / 60 °C
PEEK	seat	- 50 / 200 °C
NBR	seals	- 35 / 130 °C
FKM	seals	- 20 / 200 °C
EPDM	seals	- 50 / 120 °C

Typenumber explanation

Example : GRT15S - 280N20 - SSKN

model	design pressure	connections	adjustable	material	seat	seals	options
GRT15S	280 : 280 bar	N : 1/2" NPT B : 1/2" BSPP	3 : 0-3 bar *	SS SS 316L	K PCTFE kel-f	N NBR nitrile	G1 one extra gaugeport G2 two extra gaugeports L locking cap xx codes for special option
			8 : 0-8 bar				
	20 : 0-20 bar	P PEEK	V FKM viton				
	50 : 0-50 bar						
	100 : 0-100 bar	E EPDM					
	280 : 0-280 bar						
420 : 0-420 bar							

All regulators are marked with a typenumber, a drawingnumber and a unique serialnumber. Dutch Regulators stores the exact configuration of the regulator in the serialnumber.