

# Springloaded Pressure Regulator

Model – GRF40S-16

## Description

The GRF40S-16 springloaded pressure regulator reduces the supply pressure on the inlet side to a controlled pressure on the outlet side.

## Specifications

Inlet pressure	16 bar
Adjustable	0-1 bar
Connections	DN40 flanges EN 1092-1 or 1 1/2" flanges ASME B16.5
Seat diameter	22,5 mm
Cv / Kv	Cv 10 / Kv 8.8

## Fluids

This pressure regulator is suitable for gases and liquids.



## Materials

The regulator is made out of barstock stainless steel material.

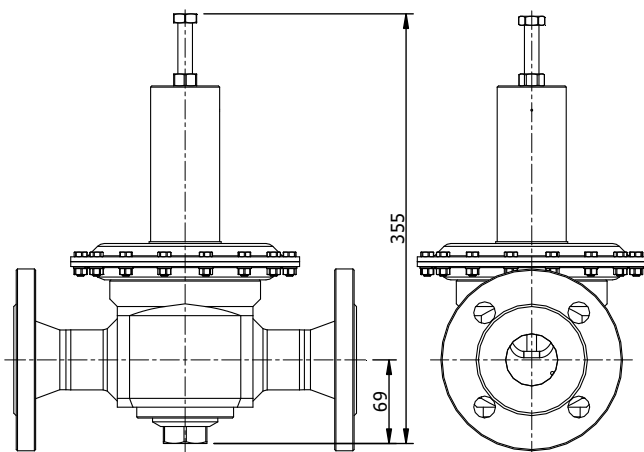
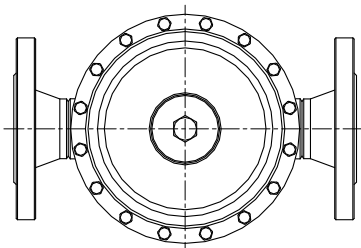
Body	ss 316L
Springhousing	ss 316L
Valve	ss 316L
Seat	NBR, FKM or EPDM
Valve spring	ss 316
Setspring	ss 302
O-rings / diaphragm	NBR, FKM or EPDM

All metal parts are marked with a traceable batch number. Material certificates are available on request.

## Temperature

The general temperature range of the regulator is -50 / 200 °C, but could be limited due to the used sealing materials.


NBR seals	-35 / 130 °C
FKM seals	-20 / 200 °C
EPDM seals	-50 / 120 °C



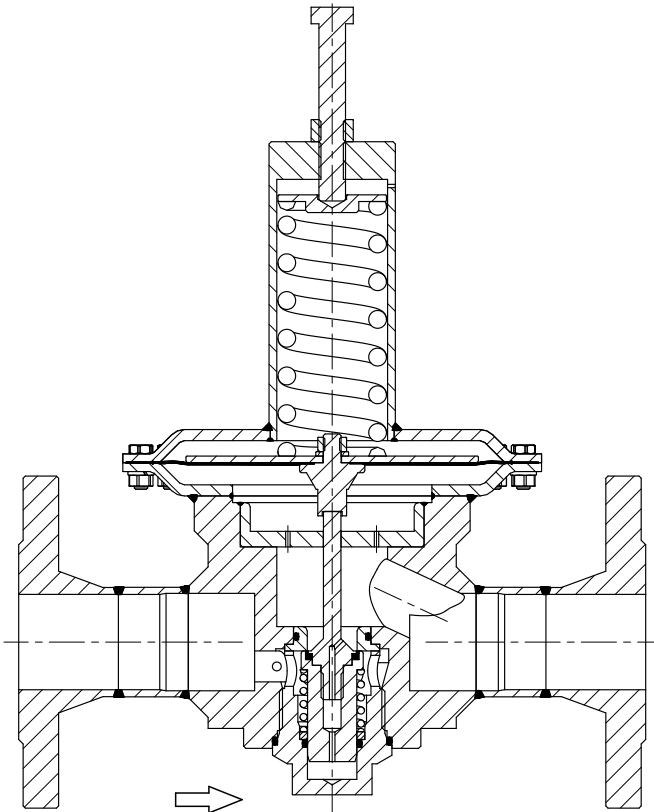
# Springloaded Pressure Regulator

Model – GRF40S-16

## Technical details

- all regulators tested before delivery
- leak-tight seat design
- all parts cleaned and degreased
- PED 2014/68/EU - CAT I
- ATEX 2014/34/EU -  II 2G

Spare parts kits are available for the regulator. Mention the serial number in case you need spare parts.



## Features

The model is part of the GRF40S line and has a large diaphragm to handle pressures below 1 bar accurately.

For a leak-tight and accurate shut-off, the seat material is rubber. The valve is a balanced valve construction to assure an excellent performance.

## Options

See for the options the datasheet of the GRF40S.

## Design pressure

The diaphragm covers come with a limitation of the design pressure.

The regulator has a design pressure of 16 bar for the inlet and outlet side.

## Connections

The regulator is designed for flanged connections. The flanges are welded to the regulator with butt-welds.

### DIN – flanges according to EN 1092-1

DN40 PN40    16 bar            design pressure

### ASME – flanges according to ASME B16.5

1 1/2" 150#    16 bar            design pressure

Other connections like weld-stubs for example are available on request.

## Typenumber explanation

Example : GRF40S – 16D1 – SSNN

model	design pressure	connections	adjustable	material	seat	seals	options
<b>GRF40S</b>	<b>16</b> : 16 bar	<b>D</b> : DIN EN 1092-1 <b>A</b> : ASME ASME B16.5  <b>S</b> : weld stubs	<b>1</b> : 0-1 bar	<b>SS</b> SS 316L	<b>N</b> nitrile NBR <b>V</b> viton FKM <b>E</b> EPDM	<b>N</b> nitrile NBR <b>V</b> viton FKM <b>E</b> EPDM	<b>xxx</b> codes for special option

All regulators are marked with a typenumber, a drawingnumber and a unique serialnumber. Dutch Regulators stores the exact configuration of the regulator in the serialnumber.