

# Springloaded Pressure Regulator

Model – BRT20S

## Description

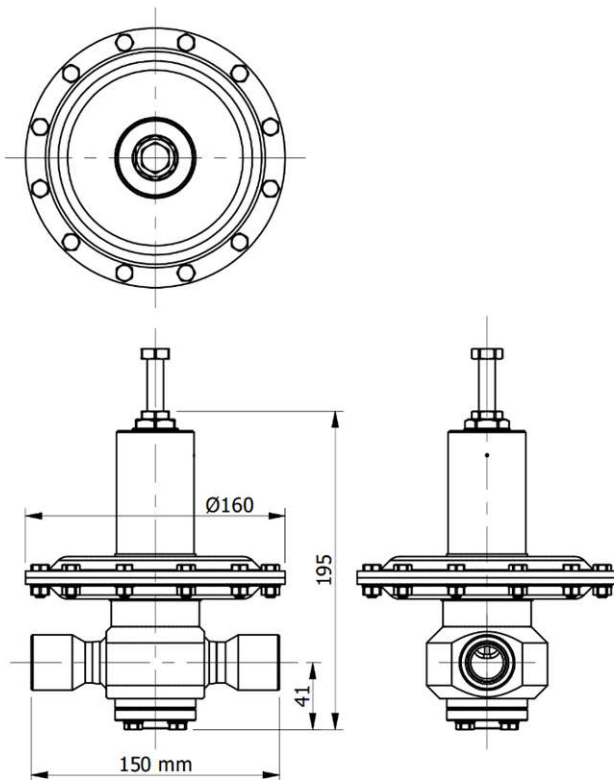
The BRT20S springloaded pressure regulator is designed for tankblanketing. The regulator reduces the supply pressure on the inlet side to a controlled pressure on the outlet side.

## Specifications

Inlet pressure	16 bar max.
Adjustable	0-800 mbar - 3 pressure ranges
Connections	3/4" NPT
Seat diameter	8 mm
Cv / Kv	Cv 1.0 / Kv 0.85

## Fluids

This pressure regulator is suitable for gases.



## Materials

The regulator is made out of barstock stainless steel material.


Body	ss 316L
Springhousing	ss 316L
Valve	ss 316L
Seat	NBR, FKM or EPDM
Setspring	ss 302
O-rings / diaphragm	NBR, FKM or EPDM

All metal parts are marked with a traceable batch number. Material certificates are available on request.

## Technical details

- all parts cleaned and degreased
- leak-tight seat design
- all regulators tested before delivery

## Standards

- |                   |   |
|-------------------|---|
| • EN 12516        | - design  |
| • EN 12266-1      | - testing   |
| • PED 2014/68/EU  | - SEP (article 4, paragraph 3)  |
| • ATEX 2014/34/EU | -  II 2G |

# Springloaded Pressure Regulator

Model – BRT20S

## Connections

The regulator has threaded connections, designed for compression fittings.

## Line connections

NPT threads according to ANSI B1.20.1

## Options

When you have the request for special features or options, please contact Dutch Regulators.

## Design pressures

The regulator has a design pressure of 16 bar and applies for the inlet side and outlet side.

## Temperature

The general temperature range of the regulator is -50 / 200 °C, but could be limited due to the used sealing materials.

NBR seals	-35 / 130 °C
FKM seals	-20 / 200 °C
EPDM seals	-50 / 120 °C

Other sealing materials on request.

## Adjusting the regulator

The regulator comes standard with a setscrew. Optional a locking cap can be supplied.

## Spare parts

Spare parts kits are available for the regulator. Mention the serial number in case you need spare parts for existing regulators.

## Lowest controlled pressure

The lowest dynamic set pressure at low flow for the BRT20S is around 5-10 mbar.

Note that the regulator needs around 10 mbar pressure-increase to be fully closed.

## Typenumber explanation

Example : BRT20S – 16N200 – SSVV – L

model	design pressure	connections	adjustable	material	seat	seals	options
BRT20S	16 : 16 bar	N : 3/4" NPT	50 : 0-50 mbar	SS SS 316L	N NBR	N NBR	L locking cap
			200 : 0-200 mbar		nitrite	nitrite	
			800 : 0-800 mbar		V FKM	V FKM	xx codes for special option
					viton	viton	
	E EPDM	E EPDM					