

Springloaded Back-Pressure Regulator

Model – BBT15S

Description

The BBT15S springloaded back-pressure regulator is designed for controlled pressures in the millibar range.

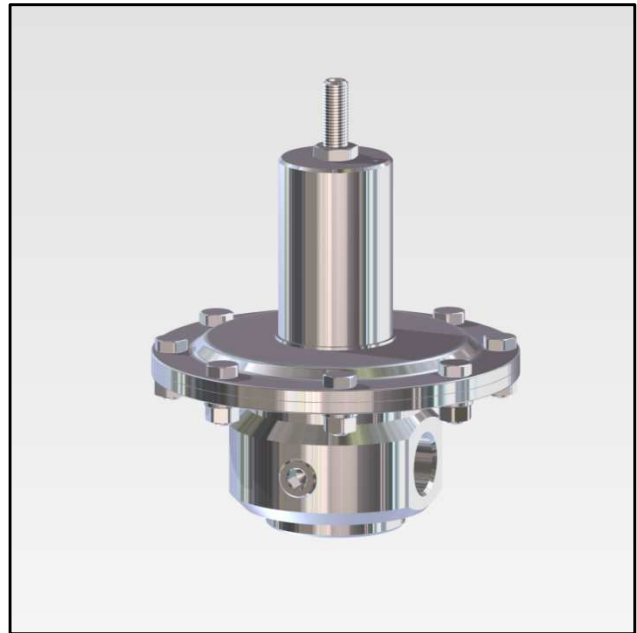
The regulator controls the supply pressure on the inlet side. When the supply pressure rises above the set pressure, the fluid starts flowing to the outlet side.

Specifications

Inlet pressure	6 bar
Adjustable	0-800 mbar - 2 pressure ranges
Connections	1/2" BSPP
Seat diameter	6 mm
Cv / Kv	Cv 0.6 / Kv 0.51

Fluids

This pressure regulator is suitable for gases.



Materials

The regulator is made out of barstock stainless steel material.

Body	ss 316L
Springhousing	ss 316L
Valve	ss 316L
Seat	NBR, FKM or EPDM
Setspring	ss 302
O-rings	NBR, FKM or EPDM
Diaphragm	PTFE

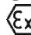
Other materials available on request.

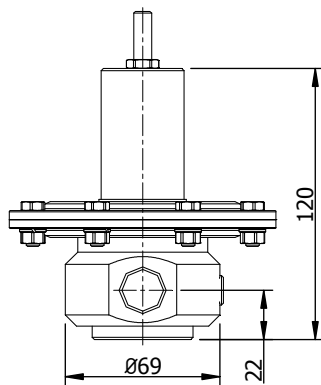
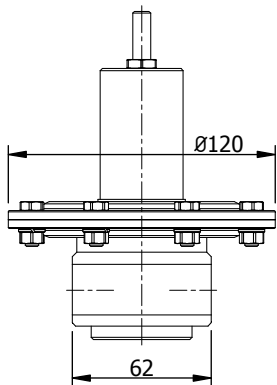
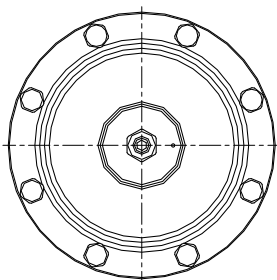
All metal parts are marked with a traceable batch number. Material certificates are available on request.

Technical details

- all parts cleaned and degreased
- leak-tight seat design
- all regulators tested before delivery

Standards

- EN 12516 - design
- EN 12266-1 - testing
- PED 97/23/EC - SEP (article 3, paragraph 3)
- ATEX 94/9/EC -  II 2G



Springloaded Back-Pressure Regulator

Model – BBT15S

Connections

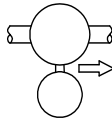
The regulator has threaded connections, designed for compression fittings.

Line connections

BSPP threads according to ISO 228-1
BSPP ports according to ISO 1179-1

Gaugeports

The regulator has standard one 1/4" NPT gaugeport to measure the controlled setpressure.



Adjusting the regulator

The regulator comes standard with a setscrew. Optional a locking cap can be supplied.

Spare parts

Spare parts kits are available for the regulator. Mention the serial number in case you need spare parts for existing regulators.

Design pressures

The regulator has a design pressure of 6 bar, where the design pressure applies for the inlet and outletside.

Depending on temperature or special wishes, the design pressure on the regulator could be different.

Temperature

The general temperature range of the regulator is -50 / 200 °C, but could be limited due to the used sealing materials.

NBR seals	-35 / 130 °C
FKM seals	-20 / 200 °C
EPDM seals	-50 / 120 °C

Regulators can be equipped with FFKM + PTFE seals. Other sealing materials on request.

Lowest controlled pressure

The lowest dynamic setpressure at low flow for the BBT15S is around 30-40 mbar.

Note that the regulator needs around 20 mbar pressure-decrease to be fully closed.

Typenumber explanation

Example : BBT15S - 6B200 - SSV

model	design pressure	connections	adjustable	material	seat	seals	options
BBT15S	6 : 6 bar	B : 1/2" BSPP	200 : 0-200 mbar 800 : 0-800 mbar	SS SS 316L	N NBR nitrile V FKM viton E EPDM K FFKM Kalrez	N NBR nitrile V FKM viton E EPDM T PTFE	L locking cap xx codes for special option

All regulators are marked with a typenumber, a drawingnumber and a unique serialnumber. Dutch Regulators stores the exact configuration of the regulator in the serialnumber.